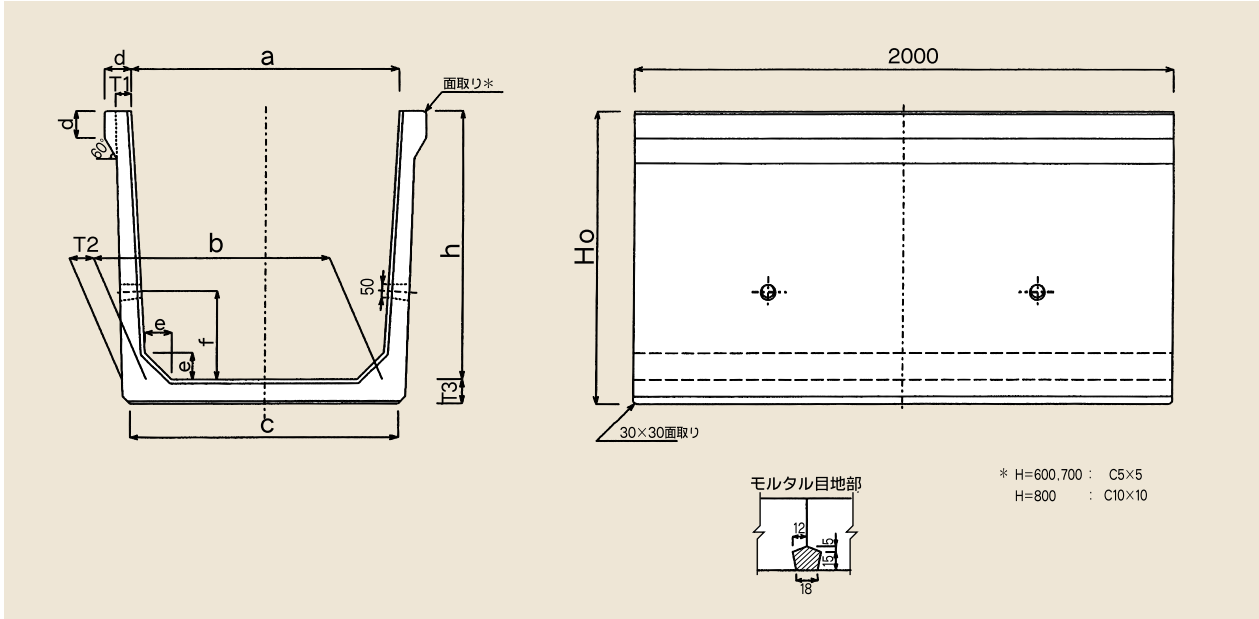


軽量フリューム

形状



寸法表

単位：mm

| 呼び名 (W×H) | 本体寸法 (mm) | | | | | | | | | | | 参考質量 (kg/2m) |
|---------------|-----------|-------|-------|-------|----|----|----|-----|-----|-----|-------|-----------------|
| | h | a | b | c | T1 | T2 | T3 | d | e | f | Ho | |
| 700 × 600 | 600 | 700 | 620 | 680 | 50 | 60 | 60 | 65 | 60 | 220 | 660 | 550 |
| 800 × 600 | | 800 | 720 | 780 | | | | | | | | 570 |
| 900 × 600 | | 900 | 820 | 880 | | | | | | | | 600 |
| 1,000 × 600 | | 1,000 | 920 | 980 | | | | | | | | 630 |
| 700 × 700 | 700 | 700 | 610 | 680 | 50 | 65 | 65 | 70 | 70 | 250 | 765 | 650 |
| 800 × 700 | | 800 | 710 | 780 | | | | | | | | 680 |
| 900 × 700 | | 900 | 810 | 880 | | | | | | | | 710 |
| 1,000 × 700 | | 1,000 | 910 | 980 | | | | | | | | 750 |
| 800 × 800 | 800 | 800 | 700 | 780 | 50 | 70 | 70 | 80 | 80 | 290 | 870 | 750 |
| 900 × 800 | | 900 | 800 | 880 | | | | | | | | 780 |
| 1,000 × 800 | | 1,000 | 900 | 980 | | | | | | | | 820 |
| 1,200 × 800 | | 1,200 | 1,100 | 1,180 | | | | | | | | 920 |
| 800 × 900 | 900 | 800 | 690 | 790 | 60 | 80 | 80 | 90 | 90 | 330 | 980 | 980 |
| 900 × 900 | | 900 | 790 | 890 | | | | | | | | 1,010 |
| 1,000 × 900 | | 1,000 | 890 | 990 | | | | | | | | 1,050 |
| 1,200 × 900 | | 1,200 | 1,090 | 1,190 | | | | | | | | 1,130 |
| 800 × 1,000 | 1,000 | 800 | 680 | 800 | 60 | 90 | 90 | 100 | 100 | 360 | 1,090 | 1,150 |
| 900 × 1,000 | | 900 | 780 | 900 | | | | | | | | 1,180 |
| 1,000 × 1,000 | | 1,000 | 880 | 1,000 | | | | | | | | 1,230 |
| 1,200 × 1,000 | | 1,200 | 1,080 | 1,200 | | | | | | | | 1,320 |

寸法の許容差

| | | | | | |
|-----|-----|---|-----|---|--|
| 許容差 | ± 5 | - | ± 5 | - | |
|-----|-----|---|-----|---|--|